

Asm-250

Powerline embedded module

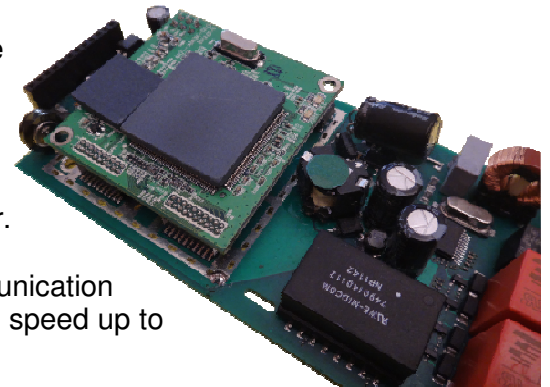
Key Features

- Easy to implement
- Physical data rates up to 200 Mbps
- IP Addressable
- Full SNMP Management
- Supports 802.1q VLAN
- UART, GPIO, SPI and MII

The Asm-250 is an all-in one powerline solution designed specifically for the embedded market. It provides a quick and easy solution for implementing a high performance broadband powerline modem.

The Asm-250 is a single board module. It measures only 48 mm by 48 mm and can be mounted on a main application board.

The goal of this module is to make embedded powerline applications easy to build for our customers. For that, different external interfaces as UART, GPIO and SPI. A MII interface is also accessible through a dedicated connector.

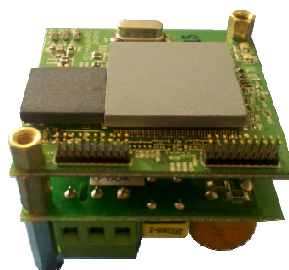


The Asm-250 provides a communication technology over the powerline at physical speed up to 200Mbps.

Depending on the version the Asm-250 acts as Head-end, repeater or only CPE. This module is compatible with all backbone network equipments from Defidev as the AheS-260 and the AheS-203.

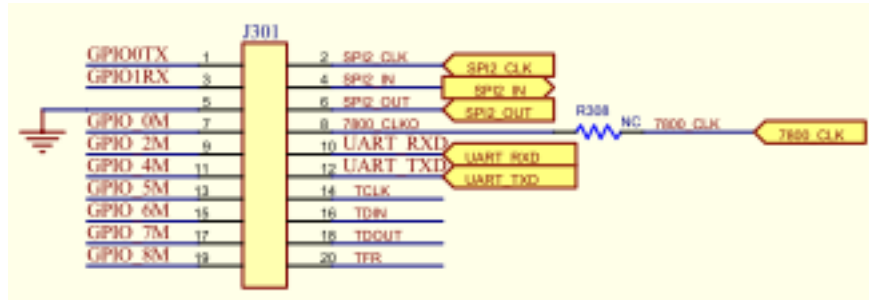
As all Defidev powerline product the Asm-250 is entirely remotely manageable thanks to the centralized Defidev Network Management System (QTNMS). The QTNMS allows operational settings, management, firmware updated...

The Asm-250 can also be offer with a power supply as a standalone product.

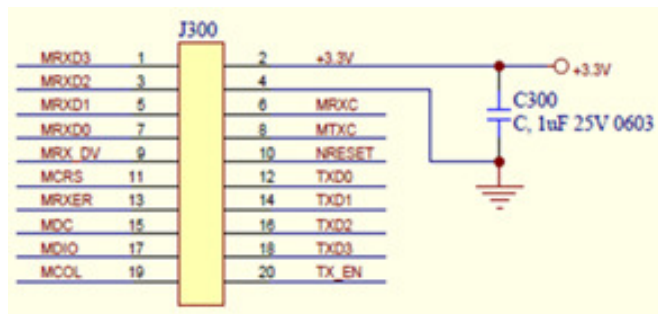


User Interfaces:

- GPIO/SPI/UART



- MII



Technical Specifications:

| | | | |
|---------------------------------------|-----------------------------|---------|---------|
| Physical Speed | Up to 200 Mbps | | |
| Dimensions (mm) | 48 x 48 | | |
| Ambient operating temperature Min-Max | 0°C - +60°C | | |
| User Connection | SPI, GPIO, UART | | |
| Power Supply | 5V DC – 400 mA | | |
| Modulation | OFDM | | |
| Number of carrier | 1536 | | |
| Power spectral density | -53 dBmW/Hz | | |
| Dynamic range | 90 dB | | |
| Frequency range | 1MHz – 34MHz | | |
| Standards Compliance | IEEE 802.3u, 802.1P, 802.1Q | | |
| Chipset DS2 | DSS9501 | DSS9502 | DSS9503 |
| Available configuration | CPE | HE/REP | HE/REP |
| Number of supported MAC address | 16 | 128 | 1024 |
| Number of supported PLC nodes | 15 | 31 | 15 |
| Number of VLANs | 16 | 16 | 16 |

DEFIDEV SAS

31 rue Georges Clemenceau
92170 Vanves
France

Tel : +33 9 51 84 97 07

E-mail : contacts@defidev.com